

\* 44 SET OF JOINTS

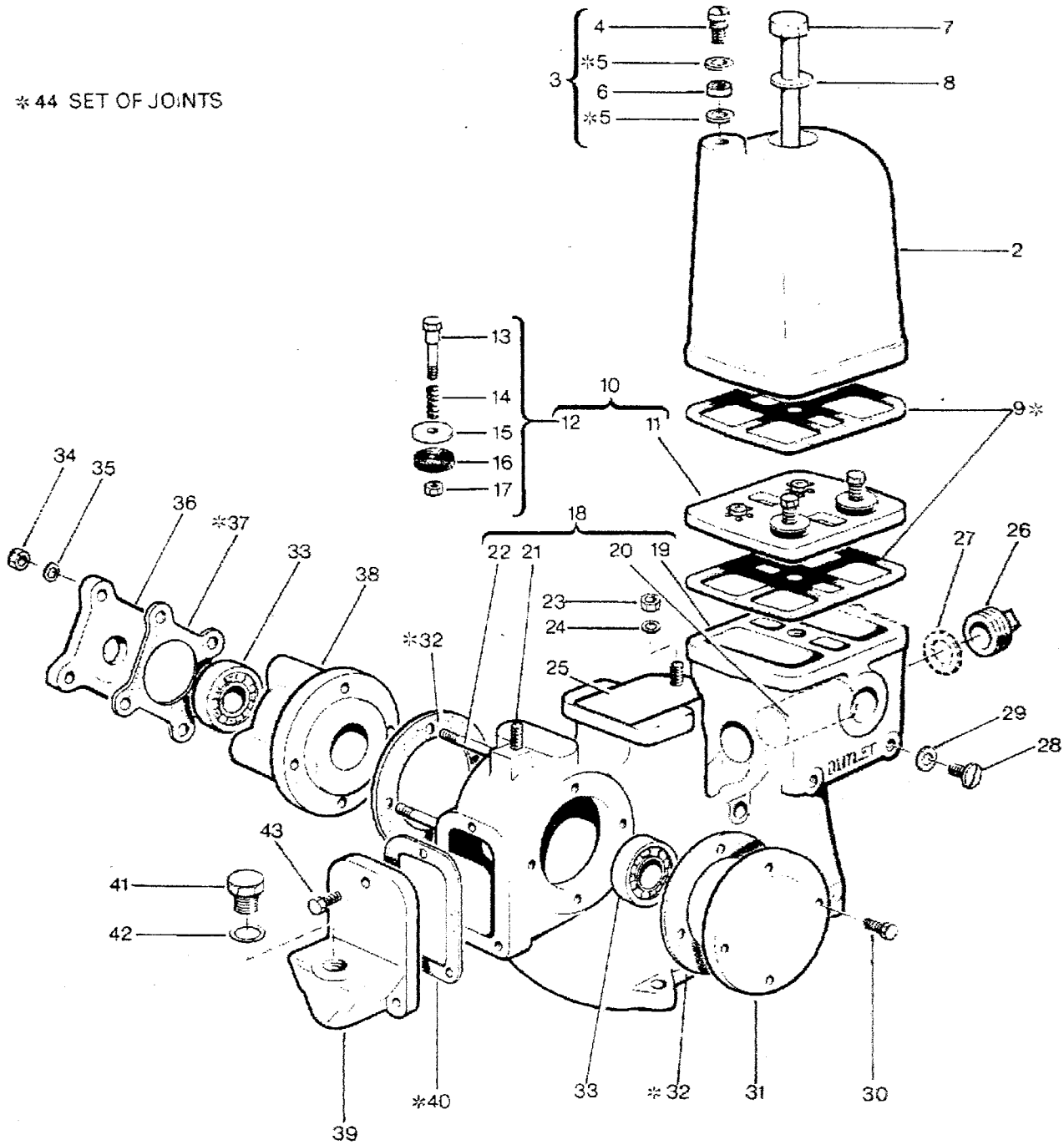


Fig.8 Pump Body & Air Chamber