

Farm Feed Systems Limited

Tel: 44(0) 1594 825106
 Fax: 44(0) 1594 824567
 E mail: enquiries@farmfeedsystems.co.uk

Foxes Bridge Road
 Forest Vale Industrial Estate
 Cinderford
 Gloucestershire
 GL14 2PQ

Date: January 2015

PRICE LIST–EX-WORKS–DOMESTIC WATER PUMP

Basic	Part No.	187.00409	924.10
--------------	-----------------	------------------	---------------

Bare shaft pump for replacement of existing unit

Basic Guards	Part No.	187.00369	1137.35
---------------------	-----------------	------------------	----------------

To include basic unit plus pump pulley and belt guard

Electric: ½ hp	Part No.	187.00391	1542.53
-----------------------	-----------------	------------------	----------------

To include Alternative Drive plus ½HP 1PH 50HZ motor

Electric: 1hp	Part No.	187.00411	1826.87
----------------------	-----------------	------------------	----------------

To include Alternative Drive plus 1HP 1PH 50HZ MOTOR

Engine:	Part No.	187.00395	1826.87
----------------	-----------------	------------------	----------------

To include Alternative Drive plus Briggs and Stratton 4 stroke petrol engine

Power unit	Pump Input	Gall/Hr	Max Head
1/2 Hp Electric	500 rpm	250	150 Ft
1 Hp Electric	500 rpm	250	250 Ft
1 Hp Petrol Engine	500 rpm	250	250 Ft

Farm Feed Systems Limited

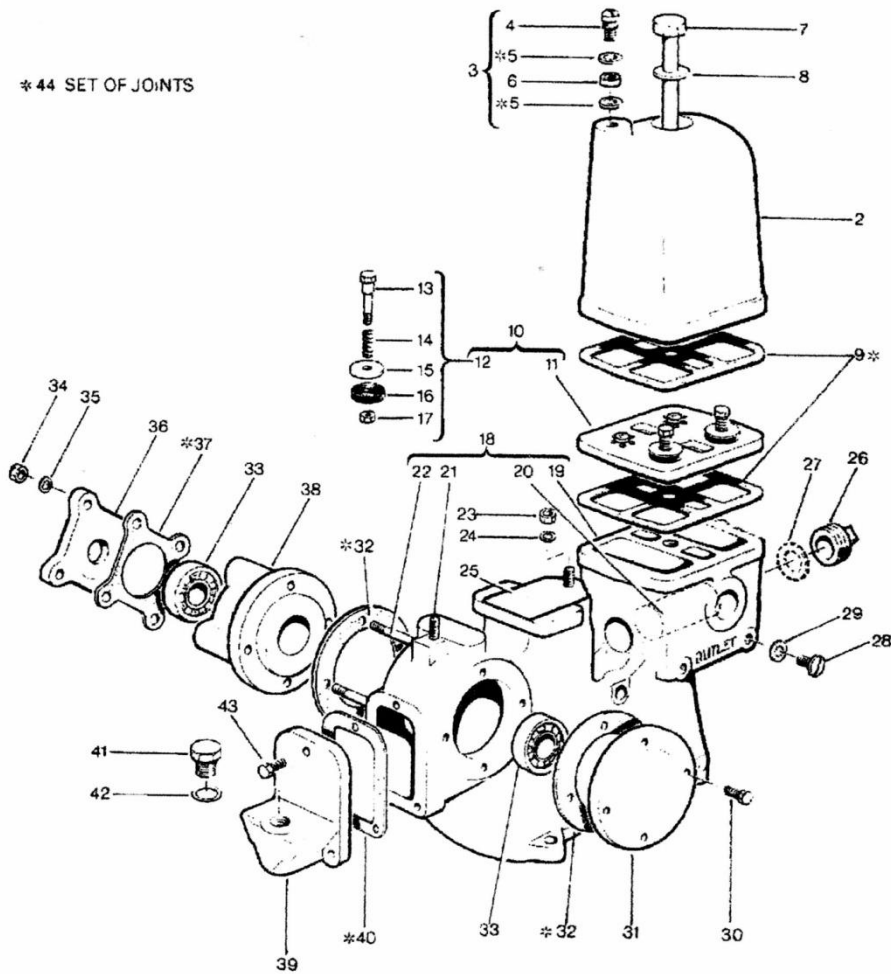


Fig.8 Pump Body & Air Chamber

All price subject to VAT at current rate

Farm Feed Systems Ltd Foxes Bridge Road Forest Vale Industrial Est. Cinderford
Gloucestershire GL14 2PQ . Tel. 01594 825106 Fax. 01594824567

Email: enquiries@farmfeedsystems.co.uk

Farm Feed Systems Limited

Tel: 44(0) 1594 825106

Fax: 44(0) 1594 824567

E mail: enquiries@farmfeedsystems.co.uk

Date: January 2015

Foxes Bridge Road

Forest Vale Industrial Estate

Cinderford

Gloucestershire

GL14 2PQ

Part no.	Description	Price each
2 187.00012	Air Chamber	135.64
3 187.00366	Air Screw Assembly	15.65
4 187.00055	Air screw	12.38
5 034.00072	Drain Plug 1/8" BSP – Brass	4.38
6 027.00583	L/Nut 1/8" BSP x 3/4" A/F Steel	3.87
7 187.00021	Air Chamber fixing screw	19.34
8 187.00023	Fixing screw washer	3.79
9 187.00347	Valve Seating Joint - Neoprene	6.53
10 187.00362	Valve seating plate - Assembly	200.41
11 187.00013	Valve seating plate – Brass	172.46
12 187.00361	Valve Assembly	17.06
13 187.00024	Valve set pin	7.80
14 187.00027	Valve Spring	2.64
15 187.00025	Valve carrier – Brass	3.78
16 187.00348	Valve Disc - Neoprene	3.16
17 187.00060	Valve Lock Nut – Brass	1.51
18 187.00365	Pump Body – Studs and Liner	P.O.A
19 187.00001	Pump Body	670.77
20 187.00046	Plunger barrel liner	21.65
21 187.00325	Stud (Motor Plate)	1.05
22 187.00368	Stud 5/16" x 3 - 3/16" BSW	5.27
25 187.00141	Cover Plate	4.71
26 027.04520	1-1/4" BSP Flange Plug	23.81
27 028.00265	Joint – Fibre	1.37
28 034.00072	Drain Plug 1/8 BSP	4.38
29 034.00070	Fibre washer 10mmI/Dx15mmO/D	0.31
30 027.01514	Bolt 5/16 x 1-1/4" BSF	2.75
31 187.00003	Bearing Housing	42.74
32 187.00004	Bearing Housing Joint	2.45
33 021.00150	Bearing RLS 6 (LJ - 3/4")	29.23
37 187.00036	Joint – Bearing Housing	2.14
38 187.00002	Bearing Housing	44.82
39 187.00100	End cover-oil filler	23.76
40 187.00077	Joint – End Cover	2.09
41 027.01815	Oil Filler Plug 3/8" BSP	10.06
42 027.01814	Joint – Oil Filler Plug	2.05
44 187.00143	Joints – Complete Set	24.62

All price subject to VAT at current rate

Farm Feed Systems Ltd Foxes Bridge Road Forest Vale Industrial Est. Cinderford
Gloucestershire GL14 2PQ . Tel. 01594 825106

Email: enquiries@farmfeedsystems.co.uk

Farm Feed Systems Limited

Tel: 44(0) 1594 825106
Fax: 44(0) 1594 824567
E mail: enquiries@farmfeedsystems.co.uk

Foxes Bridge Road
Forest Vale Industrial Estate
Cinderford
Gloucestershire
GL14 2PQ

Date: January 2015

Fig 9 Connecting Rod & Plunger Rod

	Part no.	Description	Price Each
1	187.00006	Pump Pulley	108.16
2	187.00157	Grub Screw 1/4" X 3/16"- BSW	0.65
3	187.00049	Key	3.63
4	021.00150	Bearing RLS 6 (LJ - 3/4")	29.23
5	187.00011	Crankshaft – High Speed	146.74
6	187.00184	Crankshaft – Slow Speed	173.15
10	187.00371	Cross Head Assembly	139.20
11	187.00364	Connecting Rod Assembly	90.30
15	187.00007	Crosshead – Bronze	51.36
16	187.00010	Crosshead pin	10.90
17	187.00288	Oil Seal	4.59
18	187.00287	Oil Seal Cover	11.44
19	187.00123	Gland Nut	31.71
20	187.00124	Gland Ring – Brass	6.00
21	187.00125	Gland Packing	6.83
22	187.00122	Gland - Brass	62.79
23	187.00363	Plunger & Rod Assembly	55.71
24	187.00070	Drip Washer – Rubber	3.10
25	187.00106	Plunger Centre-Brass	10.63
26	187.00097	Plunger Cup – Leather	5.26
26	187.00350	Plunger Cup - Neoprene	5.26
27	187.00111	Plunger Centre Washer	3.28
29	187.00104	Castle Nut 3/8" BSF	4.06
30	027.03713	Split Pin	0.73

All price subject to VAT at current rate

Farm Feed Systems Ltd Foxes Bridge Road Forest Vale Industrial Est. Cinderford
Gloucestershire GL14 2PQ . Tel. 01594 825106 Fax. 01594824567

Farm Feed Systems Limited

Email: enquiries@farmfeedsystems.co.uk

Tel: 44(0) 1594 825106

Fax: 44(0) 1594 824567

E mail: enquiries@farmfeedsystems.co.uk

Date: January 2015

Foxes Bridge Road
Forest Vale Industrial Estate
Cinderford
Gloucestershire
GL14 2PQ

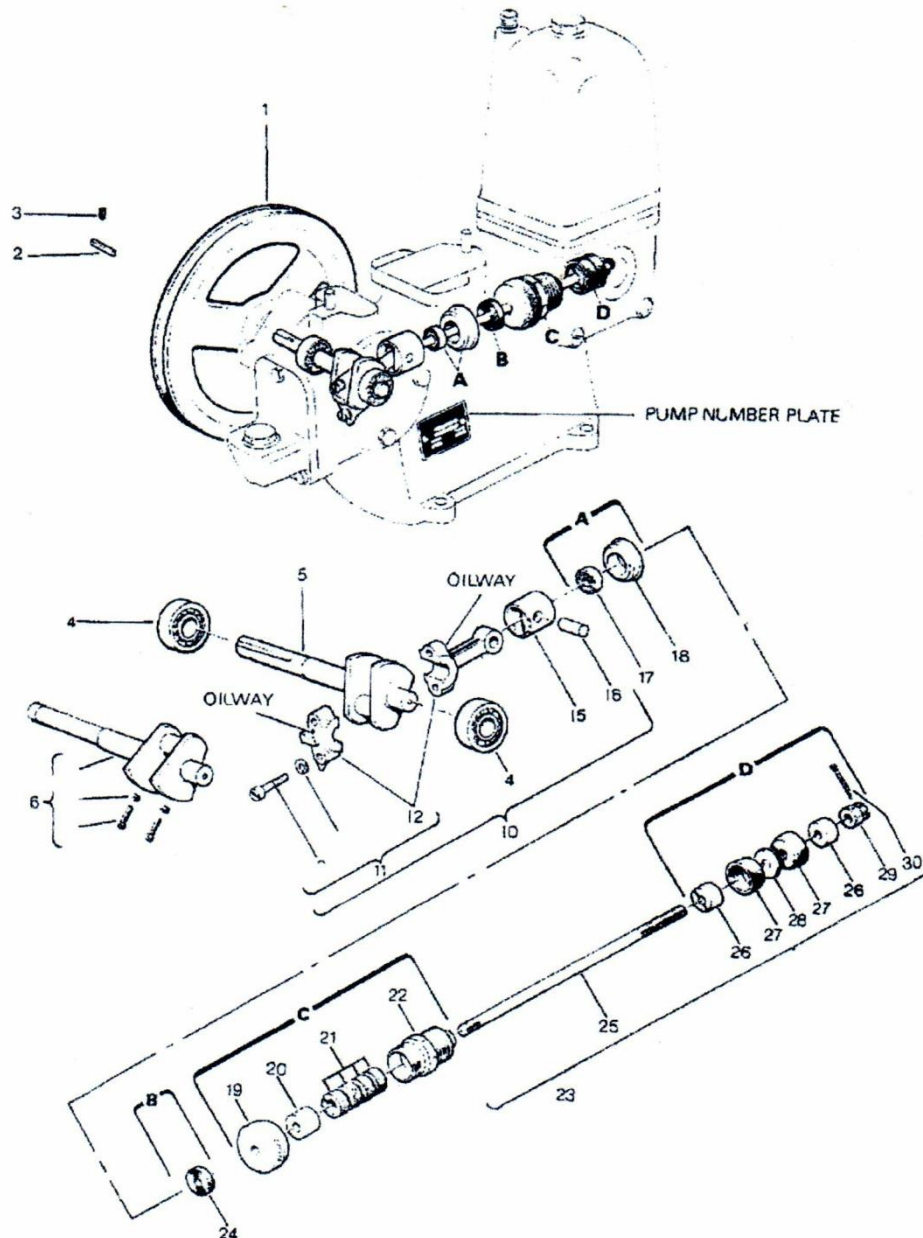


Fig.9 Connecting Rod and Plunger

All price subject to VAT at current rate

Farm Feed Systems Ltd Foxes Bridge Road Forest Vale Industrial Est. Cinderford
Gloucestershire GL14 2PQ . Tel. 01594 825106 Fax. 01594824567

Farm Feed Systems Limited

Email: enquiries@farmfeedsystems.co.uk

Tel: 44(0) 1594 825106

Fax: 44(0) 1594 824567

E mail: enquiries@farmfeedsystems.co.uk

Date: January 2015

Foxes Bridge Road
Forest Vale Industrial Estate
Cinderford
Gloucestershire
GL14 2PQ

187.00033	Screw – Cheese Head Screw	P.O.A
027.00220	Stud 3/8” x 1/2”	P.O.A
187.00181	‘V’ Belt – A31	P.O.A
187.00293	‘V’ Belt – A30	P.O.A
187.00309	Motor 1/2HP 240V 1PH 50Hz	P.O.A
187.00340	Guard Back Plate	P.O.A
187.00341	Guard Front Cover	P.O.A
187.00349	‘ V’ Belt – A32	P.O.A
187.00416	Motor Plate for D71	P.O.A
841.29150	14mm I/D Taper lock Bush	P.O.A
030.00581	Foot Valve 3/4” BSP	P.O.A
030.00582	Foot Valve 1” BSP	P.O.A
030.00583	Foot Valve 1 1/4” BSP	P.O.A
064.05036	Float Switch C/w float	P.O.A
064.05036/01	Float	P.O.A